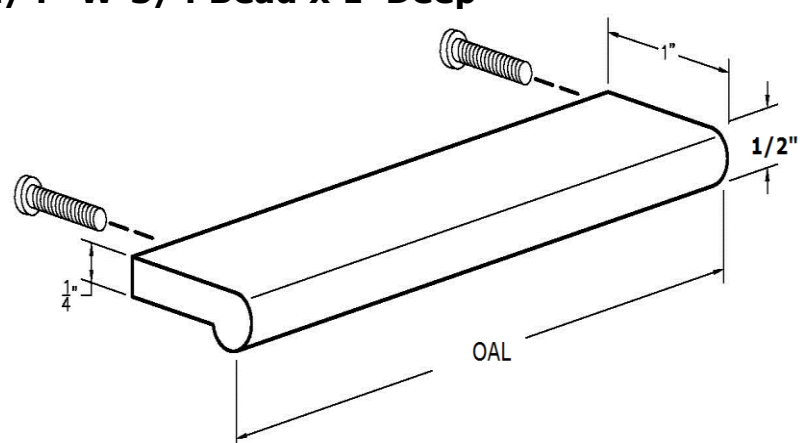


**SPECIFICATIONS FOR 2017 FCM CATALOG**

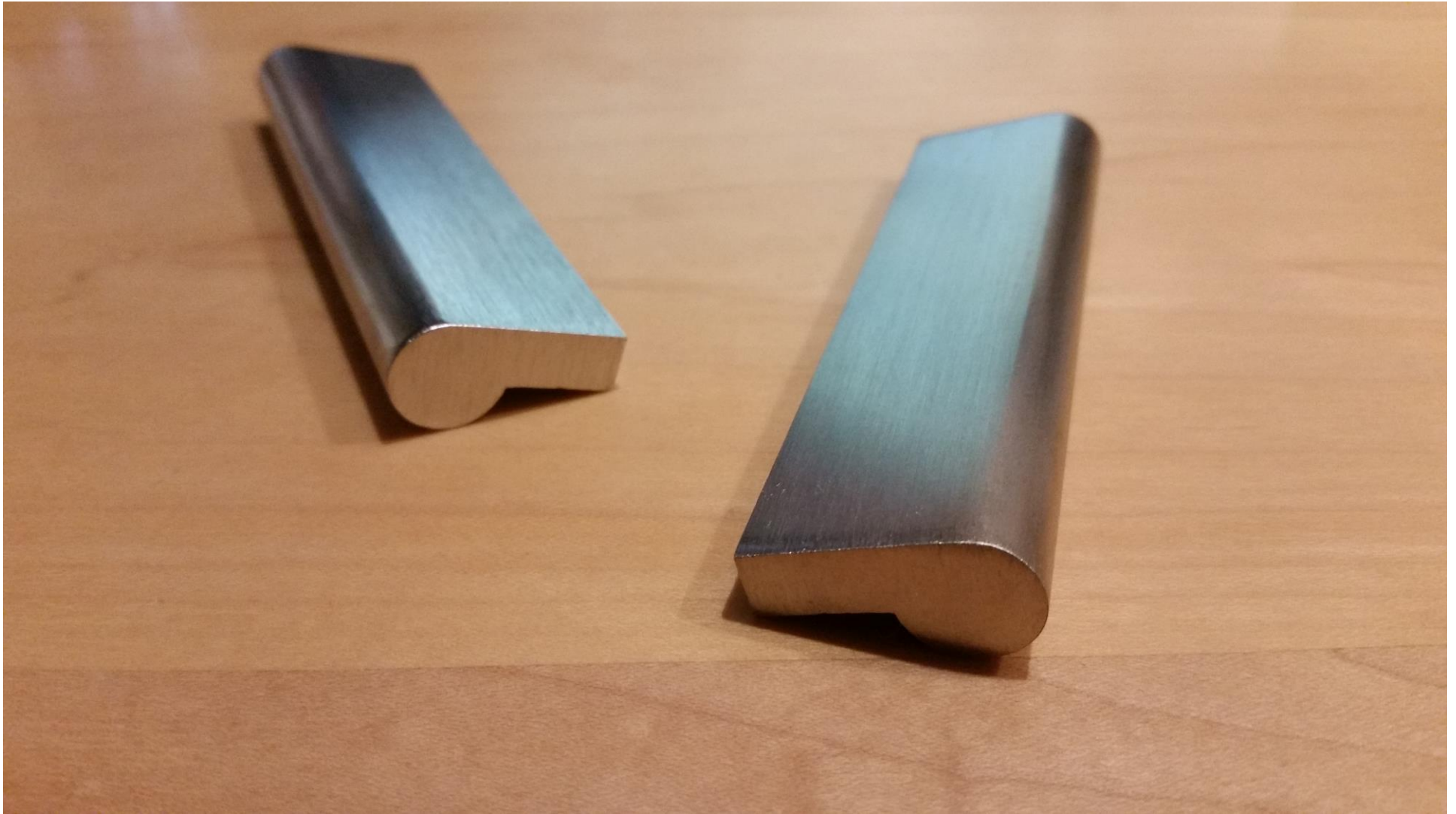
<p><b>FCM P-16 -EDGE PULL</b> <b>1/4" W-3/4 Bead x 1"Deep</b></p> 	<p>MATTE BLACK SATIN CHROME POLISH CHROME</p>	<p>MATTE BLACK SATIN CHROME POLISH CHROME</p>	<p>MATTE BLACK SATIN CHROME POLISH CHROME</p>	<p>SATIN NICKEL MEDIUM ANTIQUE BRONZE POLISH BRASS/SATIN BRASS</p>	<p>SATIN NICKEL MEDIUM ANTIQUE BRONZE POLISH BRASS/SATIN BRASS</p>	<p>SATIN NICKEL MEDIUM ANTIQUE BRONZE POLISH BRASS/SATIN BRASS</p>
---	---	---	---	--	--	--

PART NUMBER	Overall Length	Hole Location CTC	C/S Holes	Depth	1-99	100-499	500-999	1-99	100-499	500-999
FCM-P-16-S	2-1/4"	1-7/8"	2	1"	7.78	7.55	7.35	9.85	9.50	9.25
FCM-P-16-SM	3"	2"	2	1"	9.80	9.40	8.85	13.55	12.25	11.00
FCM-P-16-M	4"	3"	2	1"	11.98	10.60	9.65	16.45	15.20	14.55
FCM-P-16-L	6"	5-5/8"	2	1"	16.25	15.80	13.50	25.00	24.00	22.00
FCM-P-16-G	12"	5"	3	1"	28.55	26.45	25.00	35.00	33.00	31.00

**Our FCM-P-16 Edge Pull has a soft flat surface with a clean rolled beaded detail front that is a full 1/2 thick.**  
**Extruded out of Solid Aluminum for a clean smooth surface, we polish and plate or powder coat in any finish you require.**  
**Our standard finishes are based on the most popular requests but any custom finish can be achieved on this quality material.**  
**Custom sizes are also available up to 12 feet. Please call us for any special request you may have. We are here and always eager to help!**

*Fantasy Creations in Metal Inc.*

*Ph-951.280.0438 Fax~951.280.0458 Metalsdiva@FCMetals.com www.FCMetals.com*



*Fantasy Creations in Metal Inc.*

*Ph-951.280.0438 Fax~951.280.0458 Metalsdiva@FCMetals.com www.FCMetals.com*